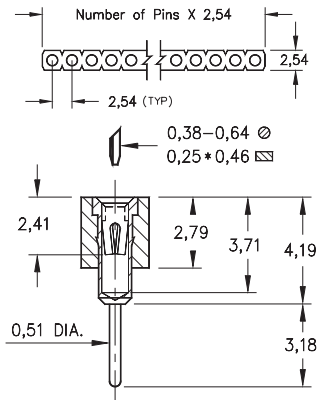
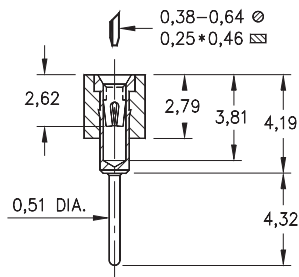


# INTERCONNECTS

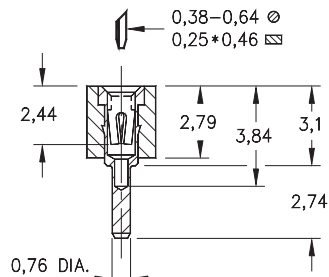
## SERIES 310, 311, 315 • 2,54 GRID SOLDER TAIL • SINGLE ROW STRIPS



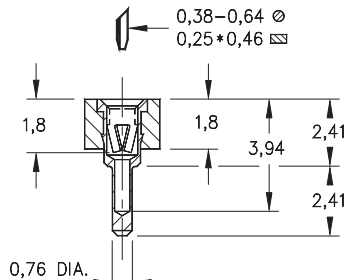
**FIG. 1**



**FIG. 2**

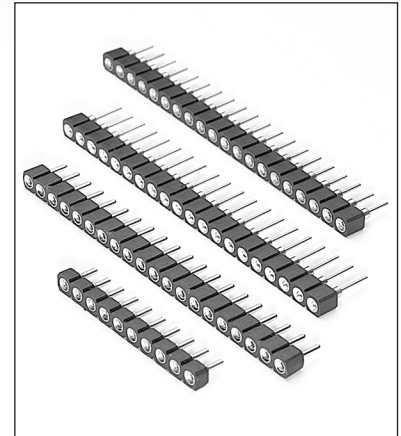


**FIG. 3**



**FIG. 4**

- SIP sockets accept 0,38 - 0,64 diameter pins and standard IC leads
- Various solder tails available: standard length, long for multi-layer boards, very low and ultra low profile. See Mill-Max #1001, #0134, #0501 or #1534 pins. See pages 161, 162 and 165 for details
- Hi-Rel, 4-finger BeCu #12 and #30 contact are rated at 3 amps. See pages 252 and 253 for details
- Insulators are high temperature thermoplastic, suitable for all soldering operations



## ORDERING INFORMATION

	Series 310...001	Standard Solder Tail						
<b>FIG. 1</b>	310-XX-1	-41-001000						
	Specify number of pins	01-64						
<b>FIG. 2</b>	Series 311...001	Long Solder Tail						
	311-XX-1	-41-001000						
	Specify number of pins	01-64						
<b>FIG. 3</b>	Series 315...001	Very Low Profile						
	315-XX-1	-41-001000						
	Specify number of pins	01-64						
<b>FIG. 4</b>	Series 315...003	Ultra Low Profile						
	315-XX-1	-41-003000						
	Specify number of pins	01-64						
<div style="display: flex; justify-content: space-around; align-items: center;"> <div style="border: 1px solid black; padding: 5px; background-color: #90EE90;">RoHS-2 2011/65/EU</div> <div style="border: 1px solid black; border-radius: 50%; padding: 5px;">XX=Plating Code See Below</div> <div style="border: 1px solid black; border-radius: 50%; padding: 5px;">For Electrical, Mechanical &amp; Environmental Data, See page 264</div> </div>								
<b>SPECIFY PLATING CODE XX=</b>								
	11	13	91	93	99	41	43	44
Sleeve (Pin)	0,25µm Au	0,25µm Au	5,08µm Sn/Pb	5,08µm Sn/Pb	5,08µm Sn/Pb	5,08µm Sn	5,08µm Sn	5,08µm Sn
Contact (Clip)	0,25µm Au	0,76µm Au	0,25µm Au	0,76µm Au	2,54µm Sn/Pb	0,25µm Au	0,76µm Au	2,54µm Sn

★ 41 & 91 Platings Non-Standard

