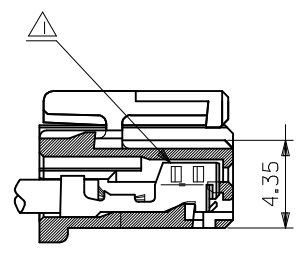
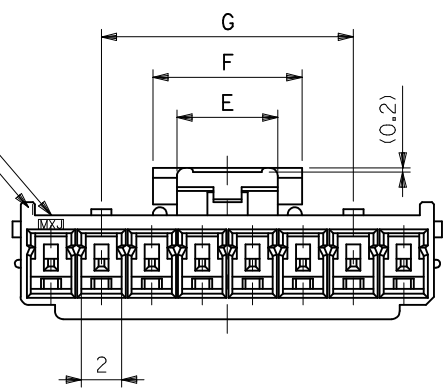
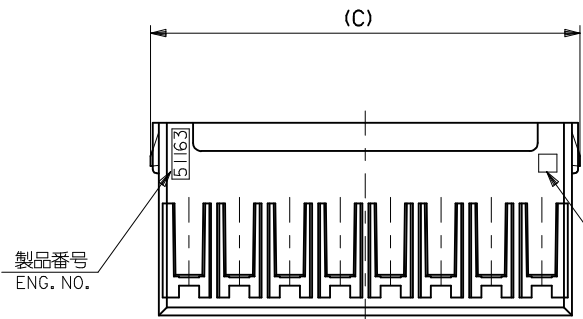


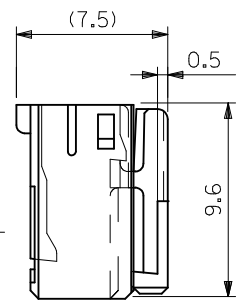
△
トレードマーク
TRADE MARK
回路番号 1
CIRCUIT NO.1



ターミナル装着状態図
TERMINAL ASSEMBLY DRAWING

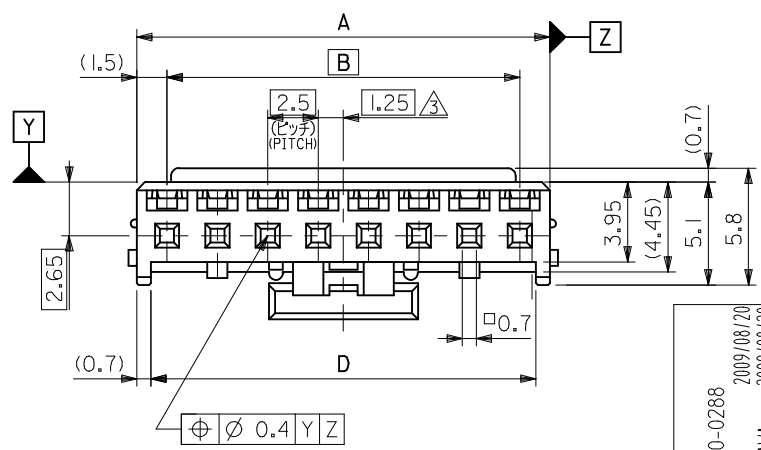


△
キャビティー番号
及び金型番号
CAVITY NO.
AND MODEL NO.



製品番号
ENG. NO.

12.5	7.4	5	36.6	38.8	35	38	51163-158*	15
↑	↑	↑	34.1	36.3	32.5	35.5	↑ -148*	14
			31.6	33.8	30	33	↑ -138*	13
			29.1	31.3	27.5	30.5	↑ -128*	12
			26.6	28.8	25	28	↑ -118*	11
			24.1	26.3	22.5	25.5	↑ -108*	10
↓			21.6	23.8	20	23	↑ -098*	9
12.5			19.1	21.3	17.5	20.5	↑ -088*	8
			16.6	18.8	15	18	↑ -078*	7
			14.1	16.3	12.5	15.5	↑ -068*	6
			11.6	13.8	10	13	↑ -058*	5
	7.4	5	9.1	11.3	7.5	10.5	↑ -048*	4
	5	3	6.6	8.8	5	8	↑ 51163-038*	3
G	F	E	D	(C)	B	A	MATERIAL AND ORDER No. △	CIRCUIT No.



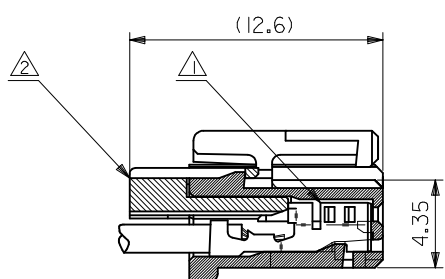
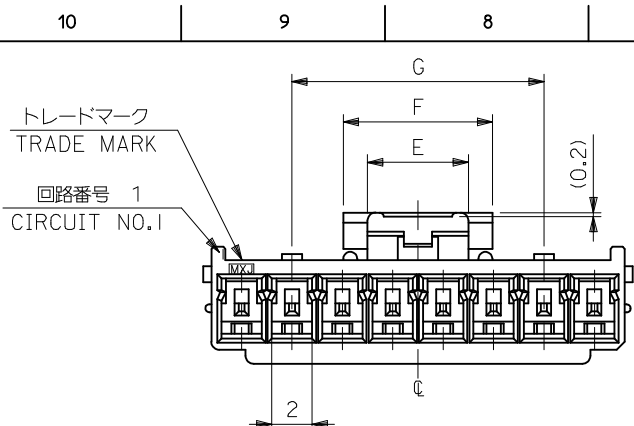
REVISED EC NO: J2010-0288 DRWN: YG010 2009/08/20 CHKD: KASAKAWA 2009/08/20 APPR: NUKITA 2009/08/24	GENERAL TOLERANCES (UNLESS SPECIFIED)		DIMENSION STYLE MM ONLY		SCALE 4:1	DESIGN UNITS METRIC	THIRD ANGLE PROJECTION	
	10 UNDER	±0.2	DRAWN BY K. HARADA	DATE 1997/10/2	TITLE 2.5 W/B CONN HSG (POSITIVE LOCK)			
	10 OVER 30 UNDER	±0.25	CHECKED BY T. ITO	DATE 1997/11/12	APPROVED BY M. FUKUSHIMA 1997/11/12			
	30 OVER	±0.3	MATERIAL NO.		MOLEX INCORPORATED		DOCUMENT NO. SD-51163-**-00	SHEET NO. 1 OF 2
ANGULAR ±3 °		DRAFT WHERE APPLICABLE MUST REMAIN WITHIN DIMENSIONS		ENTER PART				
				SIZE A3		THIS DRAWING CONTAINS INFORMATION THAT IS PROPRIETARY TO MOLEX INCORPORATED AND SHOULD NOT BE USED WITHOUT WRITTEN PERMISSION		

注記 NOTES

- ① 適合ターミナル：5035I-8*00
APPLICABLE TERMINAL : 5035I-8*00
- 2. 嵌合相手：53375,53426 シリーズ
MATE WITH : 53375,53426 SERIES
- ③ 偶数極の製品に適用。
APPLY EVEN CIRCUIT PRODUCTS.
- ④ トレードマーク：Mプラス 1 ~ 2 文字のアルファベットにて構成。(例 MXJ)
但し "J" は JAPAN を示す。
FORMED BY M AND 1 ~ 2 MORE LETTER OF ALPHABET (e.g. MXJ)
(TO TRADE MARK), BUT "J" SHOW JAPAN.
- ⑤ キャビティー番号：1桁~2桁の数字
金型番号：アルファベット1文字にて構成。(例, 1A, 10B)
FORMED BY 1 DIGIT TO 2 DIGIT NUMBERS (TO CAVITY
NO.) AND BY 1 LETTER OF ALPHABET (TO MOLD NO.).
(e.g. 1A, 10B)
- ⑥ MATERIAL AND ORDER No.
51163-**00
CIRCUIT SIZE
- 7. 材料:PBT, UL 94V-0
- 8. 色:白 WHITE (NATURAL)



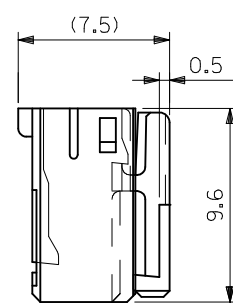
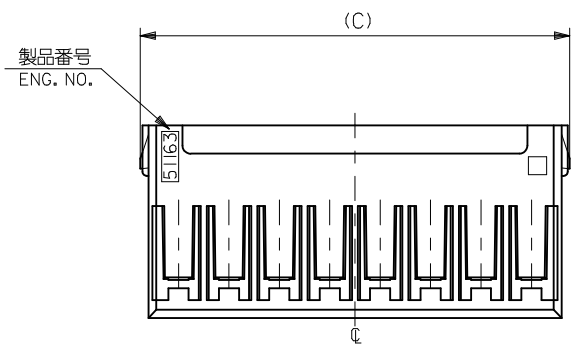
REVISED EC NO: DRWN:Y.GOTO CHKD:K.SAKAWA APPR: C	DESCRIPTION 2009/08/20	GENERAL TOLERANCES (UNLESS SPECIFIED)		DIMENSION STYLE MM ONLY	SCALE 4:1	DESIGN UNITS METRIC	THIRD ANGLE PROJECTION	
		10 UNDER	±0.2	DRAWN BY K. HARADA	DATE 1997/10/2	TITLE 2.5 W/B CONN HSG (POSITIVE LOCK)		
		10 OVER 30 UNDER	±0.25	CHECKED BY T. ITO	DATE 1997/11/12			
		30 OVER	±0.3	APPROVED BY M. FUKUSHIMA	DATE 1997/11/12	MOLEX INCORPORATED		
ANGULAR ±3 °		DRAFT WHERE APPLICABLE MUST REMAIN WITHIN DIMENSIONS		MATERIAL NO. ENTER PART	DOCUMENT NO. SD-51163-**00	SHEET NO. 2 OF 2		
				SIZE A3	THIS DRAWING CONTAINS INFORMATION THAT IS PROPRIETARY TO MOLEX INCORPORATED AND SHOULD NOT BE USED WITHOUT WRITTEN PERMISSION			



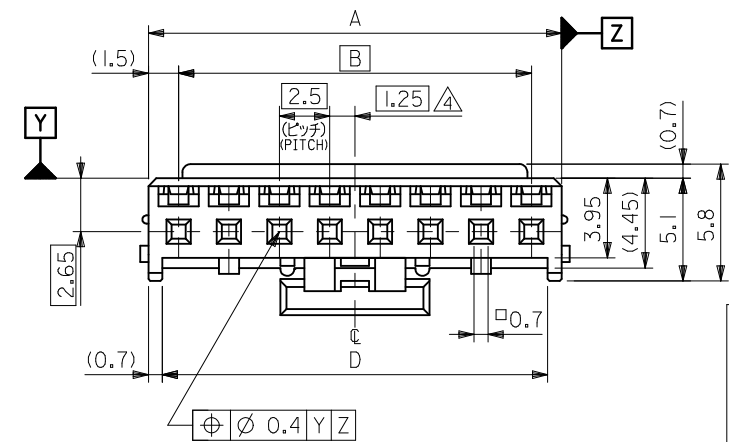
ターミナル及びリテーナー装着状態図
TERMINAL AND RETAINER ASSEMBLY DRAWING

注記 NOTES

- △ 適合ターミナル：50752-8*00
APPLICABLE TERMINAL : 50752-8*00
- △ 適合リテーナー：51164-**05
APPLICABLE RETAINER : 51164-**05
- 3. 嵌合相手：53375,53376,53388,53389,53426 シリーズ
MATE WITH : 53375,53376,53388,53389,53426 SERIES
- △ 偶数極の製品に適用。
APPLY EVEN CIRCUIT PRODUCTS.



3-15 極に適用
FOR 3-15 CKTS.



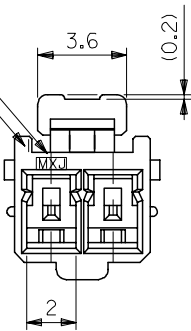
						青 BLUE	赤 RED	黒 BLACK	白 NATURAL	COLOR	
12.5	7.4	5	36.6	38.8	35	38	51163-1504	51163-1502	51163-1501	51163-1500	15
12.5			34.1	36.3	32.5	35.5	-1404	-1402	-1401	-1400	14
12.5			31.6	33.8	30	33	-1304	-1302	-1301	-1300	13
12.5			29.1	31.3	27.5	30.5	-1204	-1202	-1201	-1200	12
12.5			26.6	28.8	25	28	-1104	-1102	-1101	-1100	11
12.5			24.1	26.3	22.5	25.5	-1004	-1002	-1001	-1000	10
12.5			21.6	23.8	20	23	-0904	-0902	-0901	-0900	9
12.5			19.1	21.3	17.5	20.5	-0804	-0802	-0801	-0800	8
			16.6	18.8	15	18	-0704	-0702	-0701	-0700	7
			14.1	16.3	12.5	15.5	-0604	-0602	-0601	-0600	6
			11.6	13.8	10	13	-0504	-0502	-0501	-0500	5
	7.4	5	9.1	11.3	7.5	10.5	-0404	-0402	-0401	-0400	4
	5	3	6.6	8.8	5	8	51163-0304	51163-0302	51163-0301	51163-0300	3
G	F	E	D	(C)	B	A	MATERIAL NO.	MATERIAL NO.	MATERIAL NO.	MATERIAL NO.	NO. OF CKT

REVISED EC NO: J2005-1394 DRWN: JSASAMOR CHKDK: TOJO APPR: NUKITA 2004/11/09 2004/11/10 2004/11/18	GENERAL TOLERANCES (UNLESS SPECIFIED)		DIMENSION STYLE MM ONLY		SCALE 4:1	DESIGN UNITS METRIC	THIRD ANGLE PROJECTION		
	10 UNDER ±0.2	10 OVER 30 UNDER ±0.25	30 OVER ±0.3	DRAWN BY J. SASAMOR	DATE 2004/8/31	TITLE 2.5 WIRE TO BORAD CONN. HOUSING (POSITIVE LOCK) WITH RETAINER			
	ANGULAR ±3 °			CHECKED BY K. TOJO	DATE 2004/8/31	MOLEX INCORPORATED			
	DRAFT WHERE APPLICABLE MUST REMAIN WITHIN DIMENSIONS			APPROVED BY N. UKITA	DATE 2004/8/31	MATERIAL NO. 51163-**0*	DOCUMENT NO. SD-51163-001	SHEET NO. 1 OF 2	

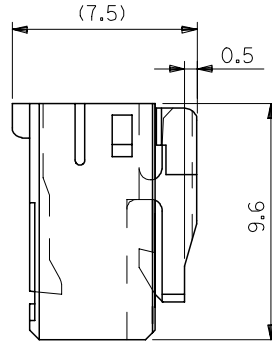
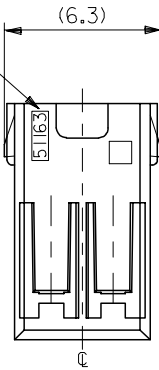
MATERIAL
PBTP, UL94V-0
SEE CHART

10 9 8 7 6 5 4 3 2 1

トレードマーク
TRADE MARK
回路番号 1
CIRCUIT NO.1

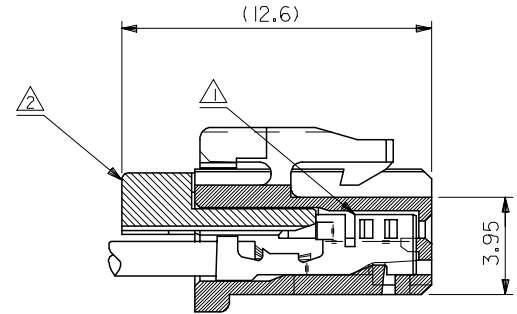


製品番号
ENG. NO.

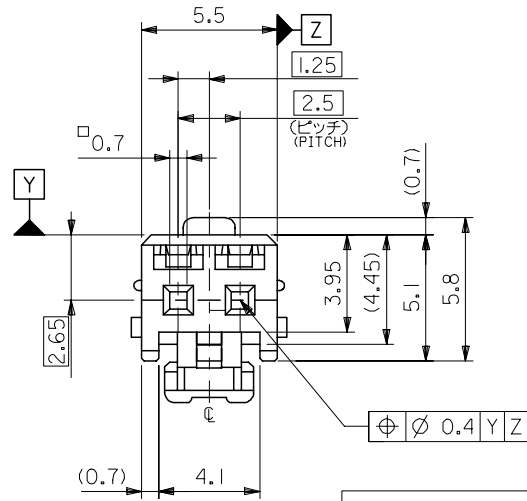


注記 NOTES

- △ 適合ターミナル : 50752-8*00
APPLICABLE TERMINAL : 50752-8*00
- △ 適合リテーナー : 51164-***05
APPLICABLE RETAINER : 51164-***05
- 3. 嵌合相手 : 53375,53426 シリーズ
MATE WITH : 53375,53426 SERIES



ターミナル及びリテーナー装着状態図
TERMINAL AND RETAINER ASSEMBLY DRAWING



2 極に適用
FOR 2 CKTS.

青	BLUE	51163-0204	2
赤	RED	51163-0202	
黒	BLACK	51163-0201	
白	NATURAL	51163-0200	
COLOR MATERIAL NO.		MATERIAL NO.	NO. OF CKT.

REVISED EC NO: J2005-1394 DRWN: SASAMOR 2004/11/09 CHKDK: TOJO 2004/11/10 APPR: NUKITA 2004/11/18 A	GENERAL TOLERANCES (UNLESS SPECIFIED)		DIMENSION STYLE MM ONLY		SCALE 5:1	DESIGN UNITS METRIC	THIRD ANGLE PROJECTION	
	10 UNDER	±0.2	DRAWN BY J. SASAMO	DATE 2004/8/31	TITLE 2.5 WIRE TO BORAD CONN. HOUSING (POSITIVE LOCK) WITH RETAINER			
	10 OVER 30 UNDER	±0.25	CHECKED BY K. TOJO	DATE 2004/8/31				
	30 OVER	±0.3	APPROVED BY N. UKITA	DATE 2004/8/31	MOLEX INCORPORATED DOCUMENT NO. SD-51163-001			
	ANGULAR	±3 °	MATERIAL NO. 51163-***0*	DATE				
DRAFT WHERE APPLICABLE MUST REMAIN WITHIN DIMENSIONS		SIZE A3		THIS DRAWING CONTAINS INFORMATION THAT IS PROPRIETARY TO MOLEX INCORPORATED AND SHOULD NOT BE USED WITHOUT WRITTEN PERMISSION				

MATERIAL
PBTP, UL94V-0
SEE CHART