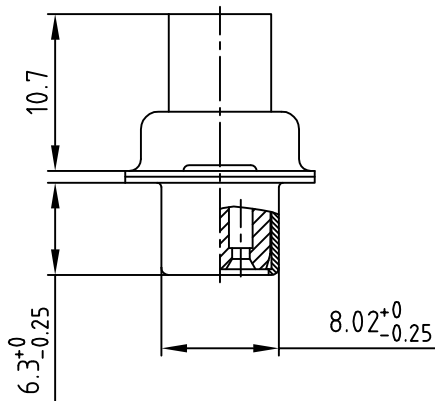
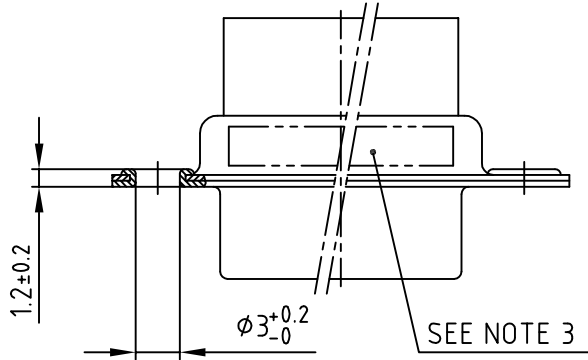
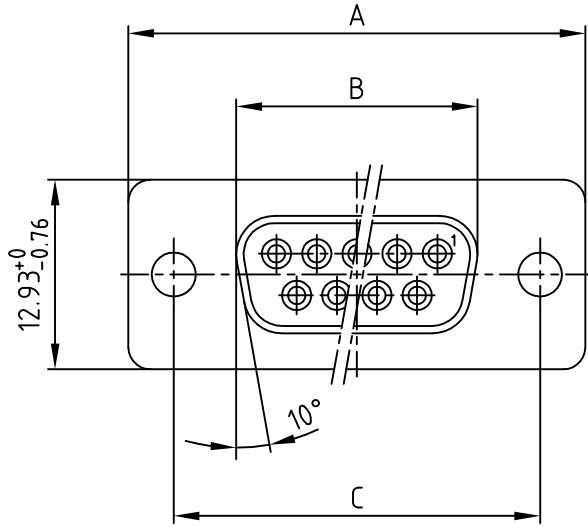


used for: D-SUB



No. of Pos.	A -0.76	B -0.25	C	Part-NO.
9	31.19	16.46	25.00 ^{+0.12} / _{-0.13}	164X11769X
15	39.52	24.79	33.30 ^{+0.15} / _{-0.1}	164X11779X
25	53.42	38.50	47.04±0.13	164X11789X
37	69.70	54.96	63.50±0.13	164X11799X

NOTES:

- METALSHELLS: STEEL; min. 320µin TIN
- INSULATORS: PBT GF UL 94 V-0; BLACK
- CONNECTOR IS PART MARKED: PART-NO. CONEC ABC

Directive 2002/95/EC RoHS compliant

THIS DRAWING MAY NOT BE COPIED OR REPRODUCED IN ANY WAY, AND MAY NOT BE PASSED ON TO A THIRD PARTY WITHOUT WRITTEN PERMISSION. OWNERSHIP AND COPYRIGHT OF CONEC GmbH DO NOT ALTER CAD DRAWING BY HAND

tolerance						
2001	date	name	<div style="text-align: center; font-weight: bold; font-size: 2em;">CONEC®</div>			
drawn	11.04.	Parei				
appd.	11.04.	E. Mickenbecker				
norm	DIN 41652					
d-old						
rev.	description	date	name			

scale:	2:1	
material:	SEE NOTES	
title:	D-SUB Socket connector CRIMP STYLE 9-37pos.	
dwg no:	AutoCAD 2000	DIN-A
	16K1A177A	4
part no:	SEE TABLE	
		sh: 1/1

4

3

2

1