

10 9 8 7 6 5 4 3 2 1

F

E

D

C

B

A

F

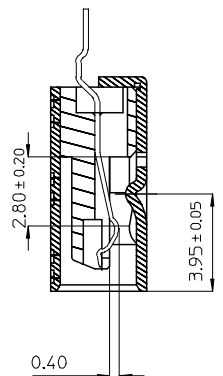
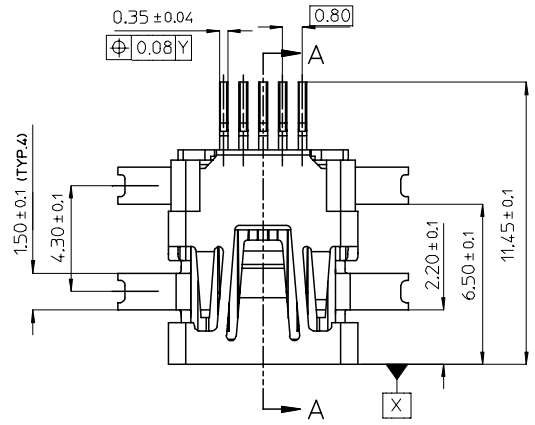
E

D

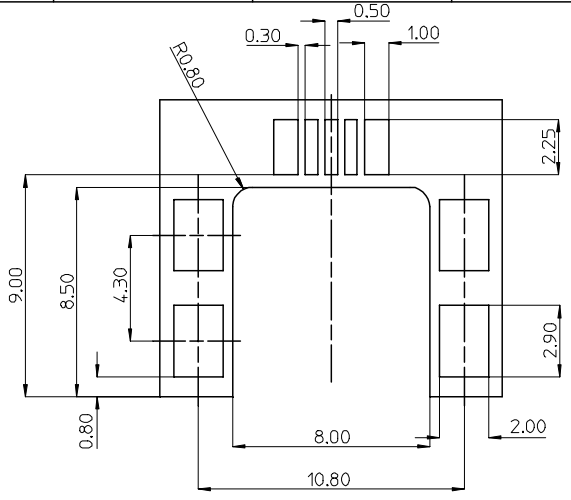
C

B

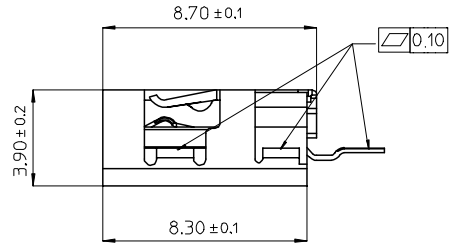
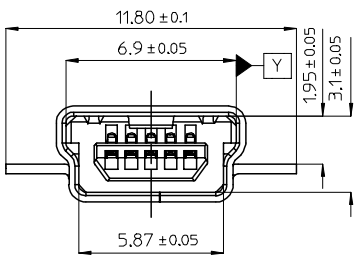
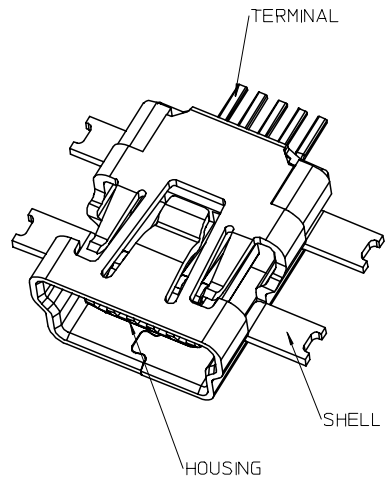
A



SECTION A-A



RECOMMENDED PCB LAYOUT
TOLERANCE: ± 0.05MM



NOTE:

1. MATERIAL:
HOUSING : LIQUID CRYSTAL POLYMER(LCP),
GLASS FIBER FILLED, UL94V-0.COLOUR:BLACK.
TERMINAL : PHOSPHOR BRONZE.THICKNESS=0.2±0.05MM.
SHIELD : STAINLESS STEEL.THICKNESS=0.4MM.
2. PLATING:
TERMINAL:
CONTACT AREA: GOLD 0.76 MICROMETER MINIMUM.
SOLDER TAIL AREA: PURE MATTE TIN 3.8 MICRONETER MINIMUM.
UNDER PLATING:F-NICKEL.
SHIELD:
PURE MATTE TIN 3.8 MICROMETER MINIMUM.
UNDER PLATING:NICKEL.
3. TAIL & NAIL COPLANARITY 0.1 mm MAXIMUM.
4. PRODUCT SPECIFICATION REFER TO PS-47153-001
5. PACKAGING REFER TO PK-48242-001
6. TEST SUMMARY REFER TO TS-48242-001
7. LEAD-FREE AND ROHS COMPLIANCE.

RELEASED EC NO: SH2006-0297 DRW: EKA001 CHKD: APPR: WWSCHANG	2006/01/17 2006/01/17 2006/01/18	DESCRIPTION A	QUALITY SYMBOLS ▽=0 ▽=0	GENERAL TOLERANCES (UNLESS SPECIFIED)		DIMENSION STYLE MM ONLY		SCALE	DESIGN UNITS METRIC	THIRD ANGLE PROJECTION			
						DRAWN BY	DATE	TITLE					
						CHECKED BY	DATE	MINI-B REC. CONN SMT SINK TYPE (LEAD-FREE VERSION)					
						APPROVED BY	DATE			MOLEX INCORPORATED			
		ANGULAR ± 3 °		MATERIAL NO.		DOCUMENT NO.		SHEET NO.					
		DRAFT WHERE APPLICABLE MUST REMAIN WITHIN DIMENSIONS		48242-0001		SD-48242-001		1 OF 1					
				SIZE A3		THIS DRAWING CONTAINS INFORMATION THAT IS PROPRIETARY TO MOLEX INCORPORATED AND SHOULD NOT BE USED WITHOUT WRITTEN PERMISSION							

9 8 7 6 5 4 3 2 1