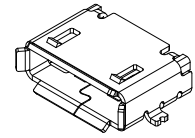
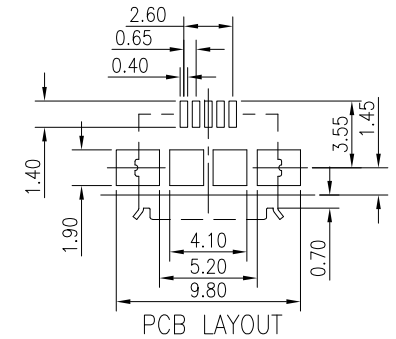
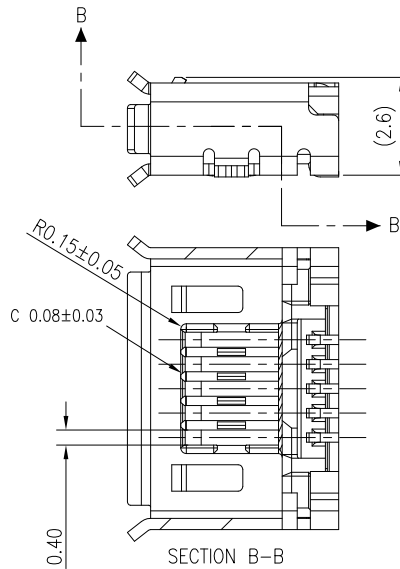
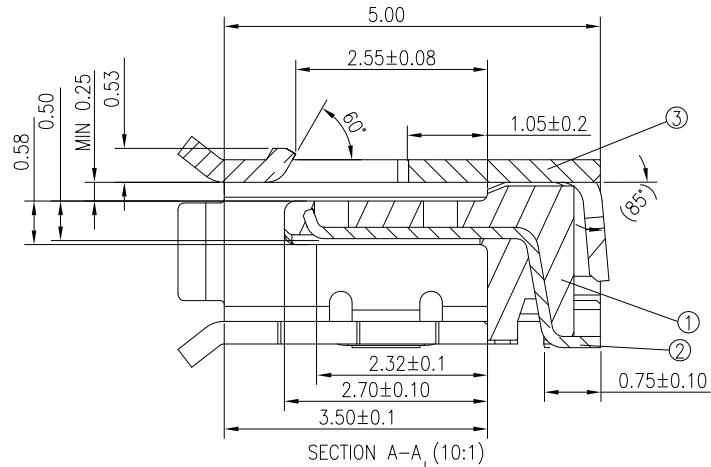


- NOTE-
- This product is enable to mount both USB-IF Recommended PCB pattern bottom of soldering terminals
 - Coplanarity : The dimension between flat tool and when connector put on the flat tool like PCB Signal Contact ter' solder tail : Max 0.08 mm Metal tab : Max 0.1mm
 - PRODUCT NUMBERING: 10104111 - 0001 LF
 - The "LF" is meant lead free and can withstand expose to 260° C peak temperature for 10 seconds in IR reflow process.



ITEM	DESCRIPTION	MATERIAL	FINISH	Q'TY
1	HOUSING	THERMOPLASTIC+GF	GRAY	1
2	CONTACT	COPPER ALLOY	PLATING : Au PLATED OVER NICKEL OVERALL	5
3	SHELL	STAINLESS STEEL	PLATING : TIN OVER NICKEL OVERALL	1

mat'l. code		tolerances unless otherwise specified		CUSTOMER COPY		FCI		www.fciconnect.com	
ltr	ecn no	dr	date	linear	.X ± 0.38	projection	title		
A	T10-0002	J.H	1/7/10		.XX ± 0.25		MICRO USB A/B TYPE RECEPTACLE		
B	T10-0063	J.H	5/12/10	angles	.XXX ± 0.10				
C	T11-0016	J.H	3/16/11		0° ±2°	MM	product family	USB	code
				dr	JASON HSU	1/7/10	size	dwg no	TWN
				enr	JASON HSU	1/7/10	scale	A4	10104111
				chr	GARY HSIEH	1/7/10	5:1	sheet 1 of 1	
				appd	JOSEPH HSIA	1/7/10			
sheet index	revision sheet	C	1						