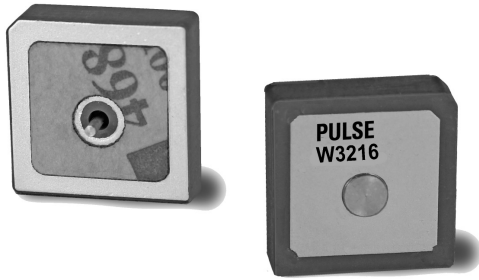
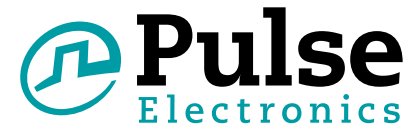


GPS L1 Band & GLONASS Ceramic Patch Antenna

Pulse Part Number W3216



Pulse is pleased to announce the W3216 GPS and GLONASS patch antenna to compliment our growing range of tracking antenna products. This small 0.5 x 0.5 inch (13 x 13 mm) ceramic patch antenna is .2 inches (5 mm) high and has a pinthrough mount. The underside of the antenna has double-sided tape for adhesion to the customer board.

Operating at 1.575 GHz, (L1 GPS band) and 1.598-1.606 GHz (GLONASS), the W3216 patch provides circularly polarized radiation patterns to connect to satellite systems. Reported performance is based on a ground plane of 2 x 2 inches (50 x 50 mm) delivering a gain of -2 dBi at Zenith. Increasing the size of the ground plane can significantly boost the actual application gain. Contact Pulse for applications support to get the best performance from your Navigation system.

Features

- 1.575 and 1.598-1.609 GHz
- GPS L1 Band and GLONASS
- 0.5 x 0.5 inch (13 x 13 mm) Patch
- RoHS Compliant Product

Applications

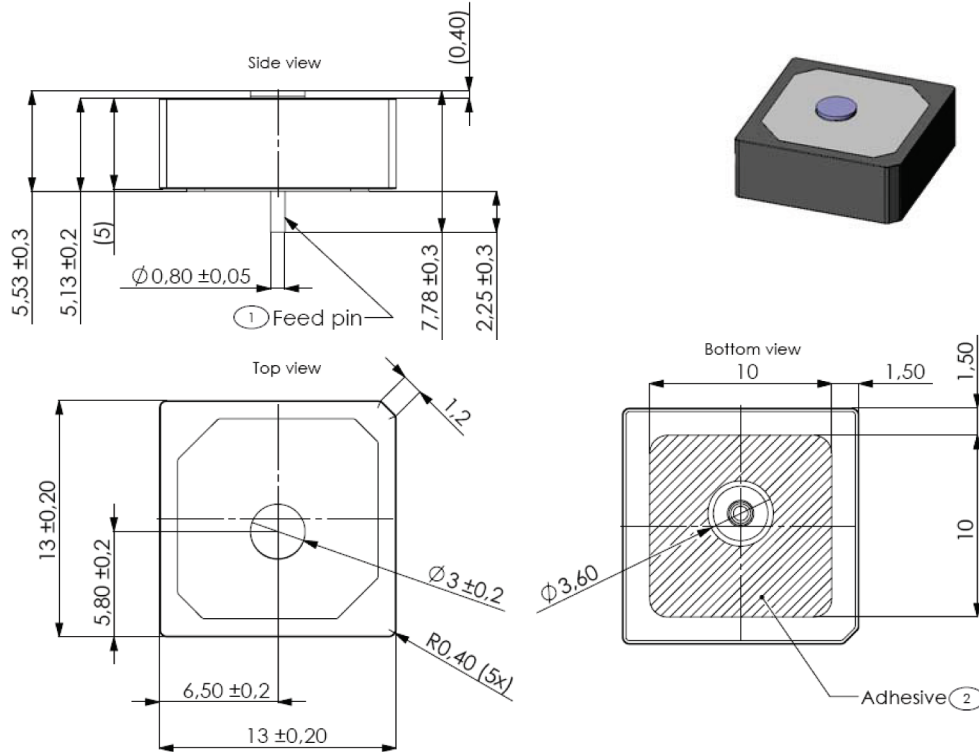
- Vehicle navigation and location
- Personal handheld tracking systems
- Health care and medical devices
- Small portable tracking equipment

Electrical Specifications

Frequency 1 [GHz]		1.575
Frequency 2 [GHz]		1.598 - 1.606
Nominal Impedance [Ω]		50
VSWR	Frequency 1	1.4
	Frequency 2	2.3
Gain	Frequency 1 [dBi avg]	-2
	Frequency 2 [dBi avg]	-2
Efficiency	Vertical Plane [Freq 1]	60%
	Vertical Plane [Freq 2]	60%
Polarization		RHCP

GPS L1 Band & GLONASS Ceramic Patch Antenna

Pulse Part Number W3216



No.	Item	Description
1	Feed Pin	Silver plated brass
2	Adhesive	0.13 mm thick double sided tape

Notes:

Feed pin manual soldering conditions:

- 300° C max soldering iron temperature, 5 seconds max
- Typical lead free solders are applicable

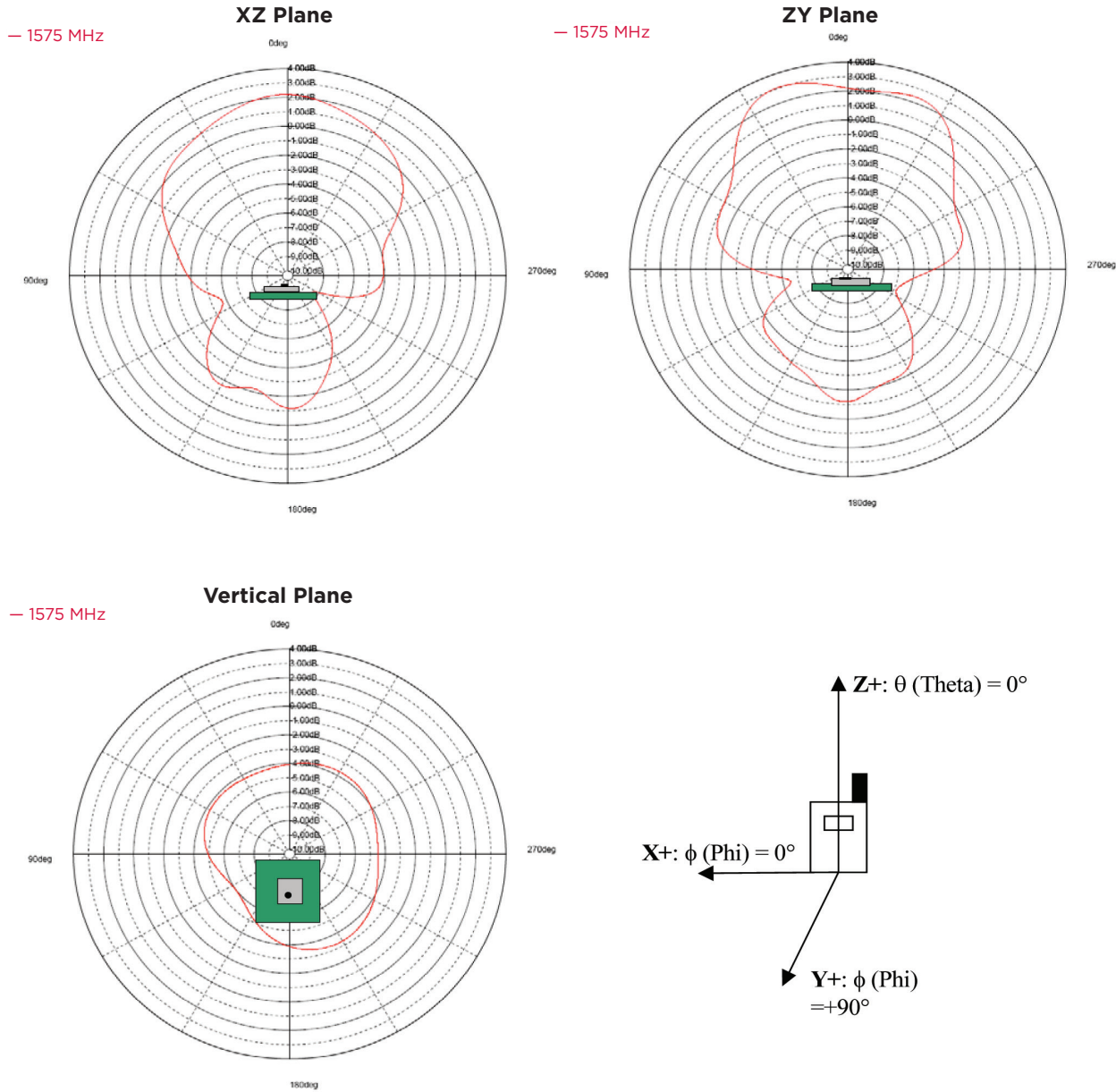
Electrode silver metallization may tarnish if antenna is stored/used in corrosive environment, especially where chloride, sulphur or sulfide, alkali or acid salts exist in the air. Corrosive gases may cause oxidation of electrodes and reduce solderability.

GPS L1 Band & GLONASS Ceramic Patch Antenna

Pulse Part Number W3216

GPS Band Radiation Patterns

Typical Free Space Radiation Patterns - Measured on 50 x 50 mm ground plane

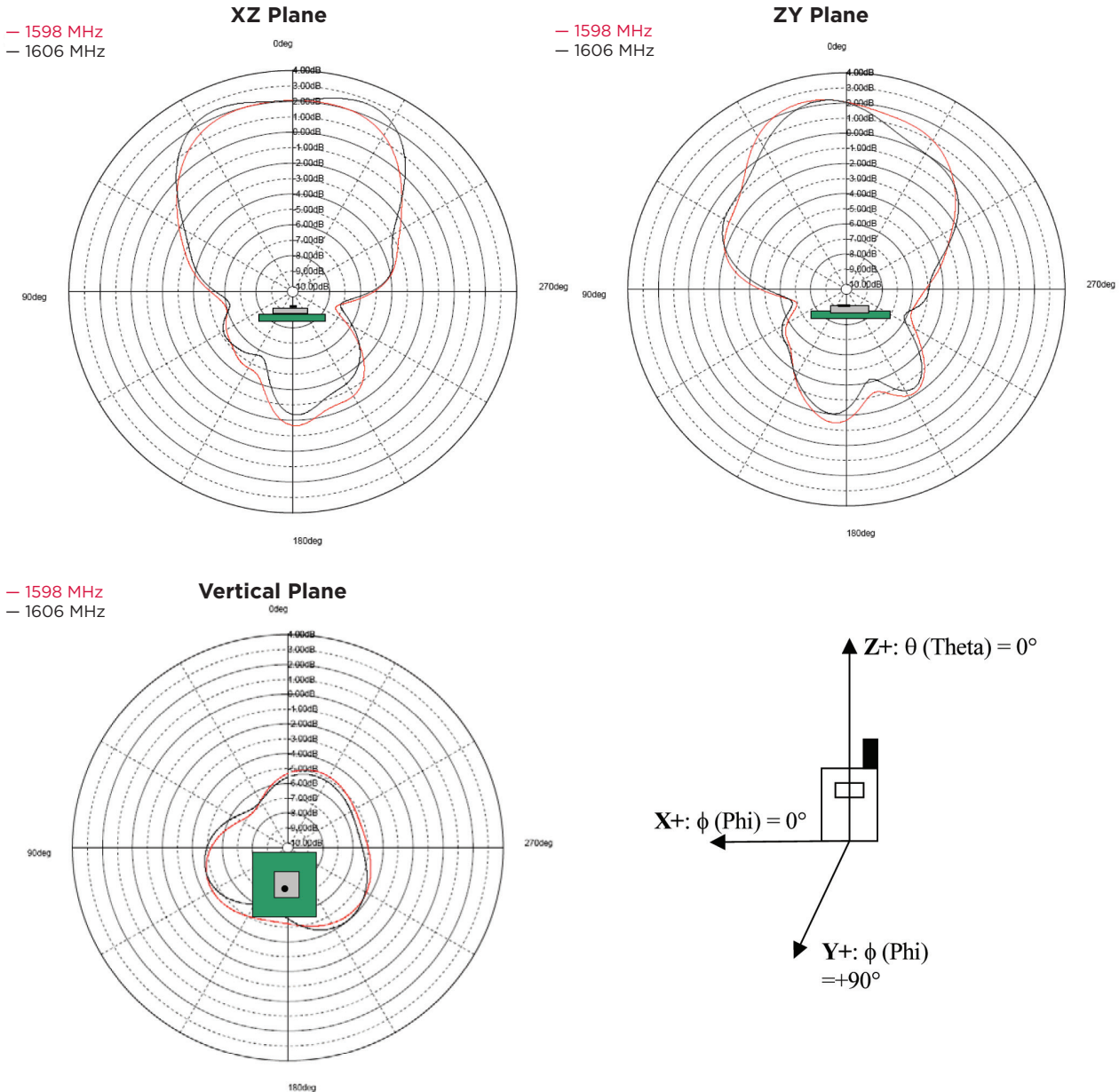


GPS L1 Band & GLONASS Ceramic Patch Antenna

Pulse Part Number W3216

GLONASS Band Radiation Patterns

Typical Free Space Radiation Patterns - Measured on 50 x 50 mm ground plane



For More Information

Pulse Worldwide Headquarters
12220 World Trade Drive
San Diego, CA 92128
U.S.A.

Larsen Brand Antennas
3611 NE 112th Avenue
Vancouver, WA 98682
USA

Europe Headquarters
Pulse GmbH & Co, KG
Zeppelinstrasse 15
Herrenberg
Germany

Asia Headquarters
B402, Shenzhen Academy of
Aerospace Technology Bldg,
10th Kejian Road, High-Tech Zone
Nanshan District, Shenzhen, PR China 518057

Pulse North Asia
3F, No. 198, Zhongyuan Road
Zhongli City, Taoyuan County 320
Taiwan R. O. C.

Pulse (Suzhou) Wireless Products Co, Inc.
99 Huo Ju Road, (#29 Bldg, 4th Phase)
Suzhou New District
Science & Tech Industrial Park
Jiangsu Province, Suzhou 215009 PR China

Tel: 858 674 8100
Fax: 858 674 8262

Tel: 360 944 7551
Fax: 369 944 7556

Tel: 49 7032 7806 0
Fax: 49 7032 7806 135

Tel: 86 755 33966678
Fax: 86 755 33966700

Tel: 886 3 4356768
Fax: 886 3 4356823

Tel: 86 512 6807 9998
Fax: 86 512 6809 8023

Performance warranty of products offered on this data sheet is limited to the parameters specified. Data is subject to change without notice. Other brand and product names mentioned herein may be trademarks or registered trademarks of their respective owners. © Copyright, 2010, Pulse Electronics, Inc. All rights reserved.